

REV.	DESCRIPTION	DATE	APPROVED
A	PR4.36	19-OCT-99	RJD

COMPONENTS C74, C75, C76, C77, C78, C79, C80, C81, C82, C83, C84, C85, C86, C87, C88, C89, C90, C91, C92, C93, C94, C95, C96, C97, C98, C99, C100, C101, C102, C103, C104, C105, C106, C107, C108, C109, C110, C111, C112, C113, C114, C115, C116, C117, C118, C119, C120, C121, C122, C123, C124, C125, C126, C127, C128, C129, C130, C131, C132, C133, C134, C135, C136, C137, C138, C139, C140, C141, C142, C143, C144, C145, C146, C147, C148, C149, C150, C151, C152, C153, C154, C155, C156, C157, C158, C159, C160, C161, C162, C163, C164, C165, C166, C167, C168, C169, C170, C171, C172, C173, C174, C175, C176, C177, C178, C179, C180, C181, C182, C183, C184, C185, C186, C187, C188, C189, C190, C191, C192, C193, C194, C195, C196, C197, C198, C199, C200, C201, C202, C203, C204, C205, C206, C207, C208, C209, C210, C211, C212, C213, C214, C215, C216, C217, C218, C219, C220, C221, C222, C223, C224, C225, C226, C227, C228, C229, C230, C231, C232, C233, C234, C235, C236, C237, C238, C239, C240, C241, C242, C243, C244, C245, C246, C247, C248, C249, C250, C251, C252, C253, C254, C255, C256, C257, C258, C259, C260, C261, C262, C263, C264, C265, C266, C267, C268, C269, C270, C271, C272, C273, C274, C275, C276, C277, C278, C279, C280, C281, C282, C283, C284, C285, C286, C287, C288, C289, C290, C291, C292, C293, C294, C295, C296, C297, C298, C299, C300, C301, C302, C303, C304, C305, C306, C307, C308, C309, C310, C311, C312, C313, C314, C315, C316, C317, C318, C319, C320, C321, C322, C323, C324, C325, C326, C327, C328, C329, C330, C331, C332, C333, C334, C335, C336, C337, C338, C339, C340, C341, C342, C343, C344, C345, C346, C347, C348, C349, C350, C351, C352, C353, C354, C355, C356, C357, C358, C359, C360, C361, C362, C363, C364, C365, C366, C367, C368, C369, C370, C371, C372, C373, C374, C375, C376, C377, C378, C379, C380, C381, C382, C383, C384, C385, C386, C387, C388, C389, C390, C391, C392, C393, C394, C395, C396, C397, C398, C399, C400, C401, C402, C403, C404, C405, C406, C407, C408, C409, C410, C411, C412, C413, C414, C415, C416, C417, C418, C419, C420, C421, C422, C423, C424, C425, C426, C427, C428, C429, C430, C431, C432, C433, C434, C435, C436, C437, C438, C439, C440, C441, C442, C443, C444, C445, C446, C447, C448, C449, C450, C451, C452, C453, C454, C455, C456, C457, C458, C459, C460, C461, C462, C463, C464, C465, C466, C467, C468, C469, C470, C471, C472, C473, C474, C475, C476, C477, C478, C479, C480, C481, C482, C483, C484, C485, C486, C487, C488, C489, C490, C491, C492, C493, C494, C495, C496, C497, C498, C499, C500, C501, C502, C503, C504, C505, C506, C507, C508, C509, C510, C511, C512, C513, C514, C515, C516, C517, C518, C519, C520, C521, C522, C523, C524, C525, C526, C527, C528, C529, C530, C531, C532, C533, C534, C535, C536, C537, C538, C539, C540, C541, C542, C543, C544, C545, C546, C547, C548, C549, C550, C551, C552, C553, C554, C555, C556, C557, C558, C559, C560, C561, C562, C563, C564, C565, C566, C567, C568, C569, C570, C571, C572, C573, C574, C575, C576, C577, C578, C579, C580, C581, C582, C583, C584, C585, C586, C587, C588, C589, C590, C591, C592, C593, C594, C595, C596, C597, C598, C599, C600, C601, C602, C603, C604, C605, C606, C607, C608, C609, C610, C611, C612, C613, C614, C615, C616, C617, C618, C619, C620, C621, C622, C623, C624, C625, C626, C627, C628, C629, C630, C631, C632, C633, C634, C635, C636, C637, C638, C639, C640, C641, C642, C643, C644, C645, C646, C647, C648, C649, C650, C651, C652, C653, C654, C655, C656, C657, C658, C659, C660, C661, C662, C663, C664, C665, C666, C667, C668, C669, C670, C671, C672, C673, C674, C675, C676, C677, C678, C679, C680, C681, C682, C683, C684, C685, C686, C687, C688, C689, C690, C691, C692, C693, C694, C695, C696, C697, C698, C699, C700, C701, C702, C703, C704, C705, C706, C707, C708, C709, C710, C711, C712, C713, C714, C715, C716, C717, C718, C719, C720, C721, C722, C723, C724, C725, C726, C727, C728, C729, C730, C731, C732, C733, C734, C735, C736, C737, C738, C739, C740, C741, C742, C743, C744, C745, C746, C747, C748, C749, C750, C751, C752, C753, C754, C755, C756, C757, C758, C759, C760, C761, C762, C763, C764, C765, C766, C767, C768, C769, C770, C771, C772, C773, C774, C775, C776, C777, C778, C779, C780, C781, C782, C783, C784, C785, C786, C787, C788, C789, C790, C791, C792, C793, C794, C795, C796, C797, C798, C799, C800, C801, C802, C803, C804, C805, C806, C807, C808, C809, C810, C811, C812, C813, C814, C815, C816, C817, C818, C819, C820, C821, C822, C823, C824, C825, C826, C827, C828, C829, C830, C831, C832, C833, C834, C835, C836, C837, C838, C839, C840, C841, C842, C843, C844, C845, C846, C847, C848, C849, C850, C851, C852, C853, C854, C855, C856, C857, C858, C859, C860, C861, C862, C863, C864, C865, C866, C867, C868, C869, C870, C871, C872, C873, C874, C875, C876, C877, C878, C879, C880, C881, C882, C883, C884, C885, C886, C887, C888, C889, C890, C891, C892, C893, C894, C895, C896, C897, C898, C899, C900, C901, C902, C903, C904, C905, C906, C907, C908, C909, C910, C911, C912, C913, C914, C915, C916, C917, C918, C919, C920, C921, C922, C923, C924, C925, C926, C927, C928, C929, C930, C931, C932, C933, C934, C935, C936, C937, C938, C939, C940, C941, C942, C943, C944, C945, C946, C947, C948, C949, C950, C951, C952, C953, C954, C955, C956, C957, C958, C959, C960, C961, C962, C963, C964, C965, C966, C967, C968, C969, C970, C971, C972, C973, C974, C975, C976, C977, C978, C979, C980, C981, C982, C983, C984, C985, C986, C987, C988, C989, C990, C991, C992, C993, C994, C995, C996, C997, C998, C999, C1000.

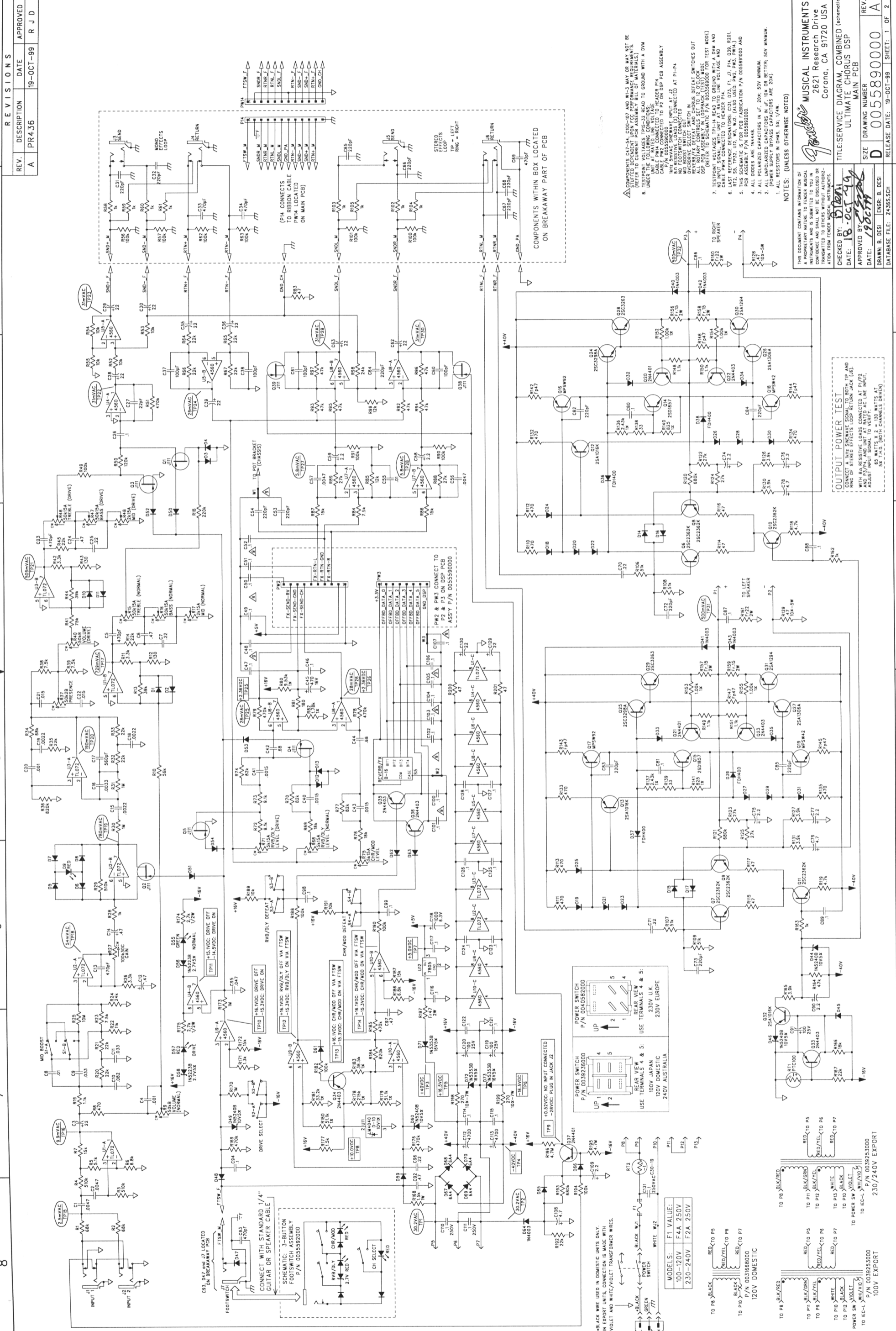
REVISIONS		DATE	APPROVED
A	PR4.36	19-OCT-99	RJD

MUSICAL INSTRUMENTS
2621 Research Drive
Corona, CA 91720 USA

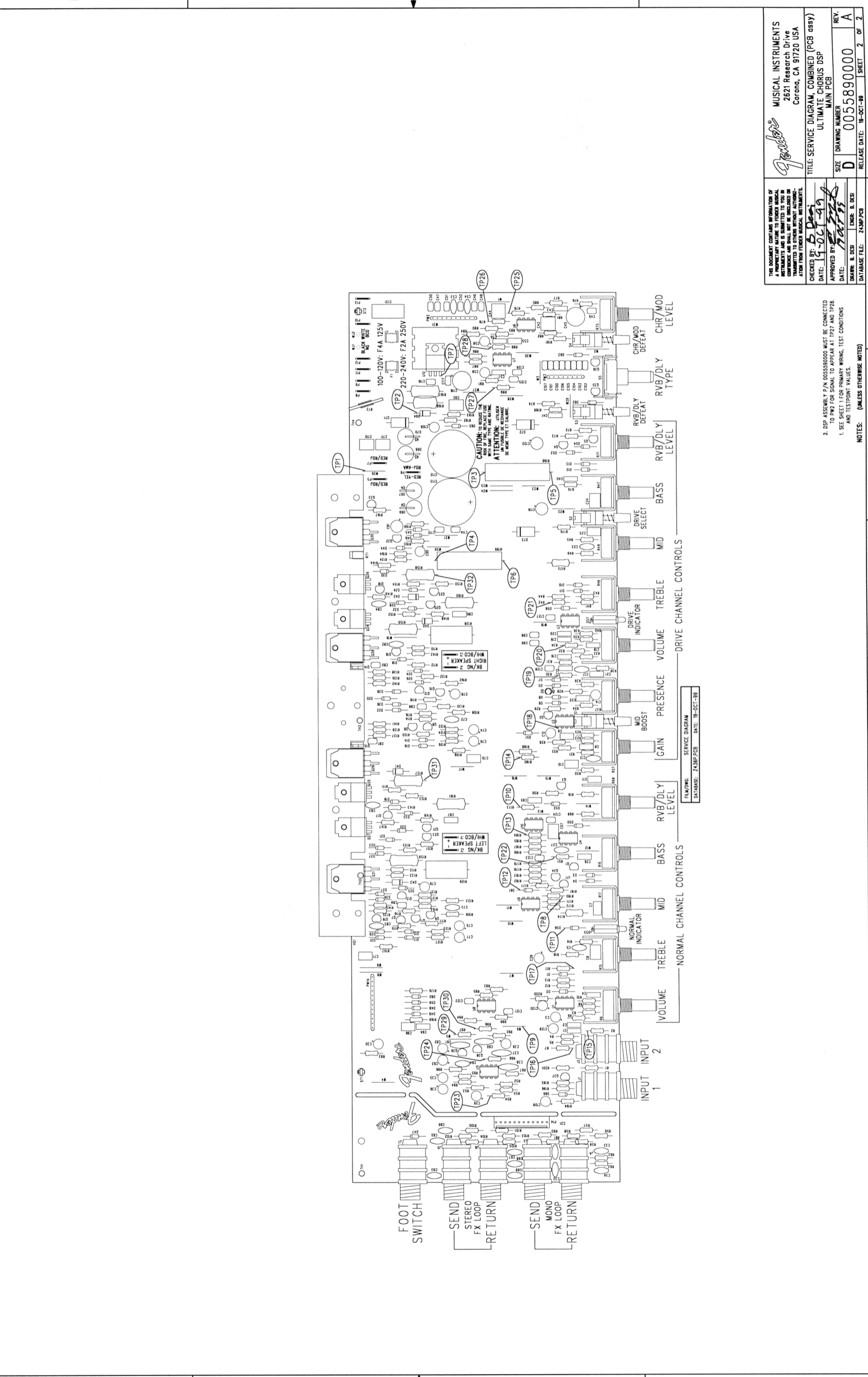
TITLE: SERVICE DIAGRAM, COMBINED (estimate)
ULTIMATE CHORUS DSP MAIN PCB

CHECKED BY: *D. Chen*
DATE: 18-Oct-99
APPROVED BY: *R. J. D.*
DATE: 19-Oct-99

SIZE: D
DRAWING NUMBER: 005589000
DRAWN: B. DESI
ENGR: B. DESI
RELEASE DATE: 19-OCT-99
SHEET: 1 OF 2



REVISIONS			
REV.	DESCRIPTION	DATE	APPROVED
A	PR436	19-OCT-99	R J D



THIS DOCUMENT CONTAINS INFORMATION OF A PROPRIETARY NATURE TO FENDER MUSICAL INSTRUMENTS AND IS SUBMITTED TO YOU IN CONFIDENCE. IT IS NOT TO BE REPRODUCED, COPIED, OR TRANSMITTED IN ANY MANNER WITHOUT THE WRITTEN PERMISSION OF FENDER MUSICAL INSTRUMENTS.

CHECKED BY: *B. Dea*
DATE: 14-OCT-99
APPROVED BY: *[Signature]*
DATE: *[Signature]*

MUSICAL INSTRUMENTS
2821 Research Drive
Corona, CA 91720 USA

TITLE: SERVICE DIAGRAM, COMBINED (PCB cassy)
ULTIMATE CHORUS DSP
MAIN PCB

SIZE: D
DRAWING NUMBER: 0055890000
REV. A

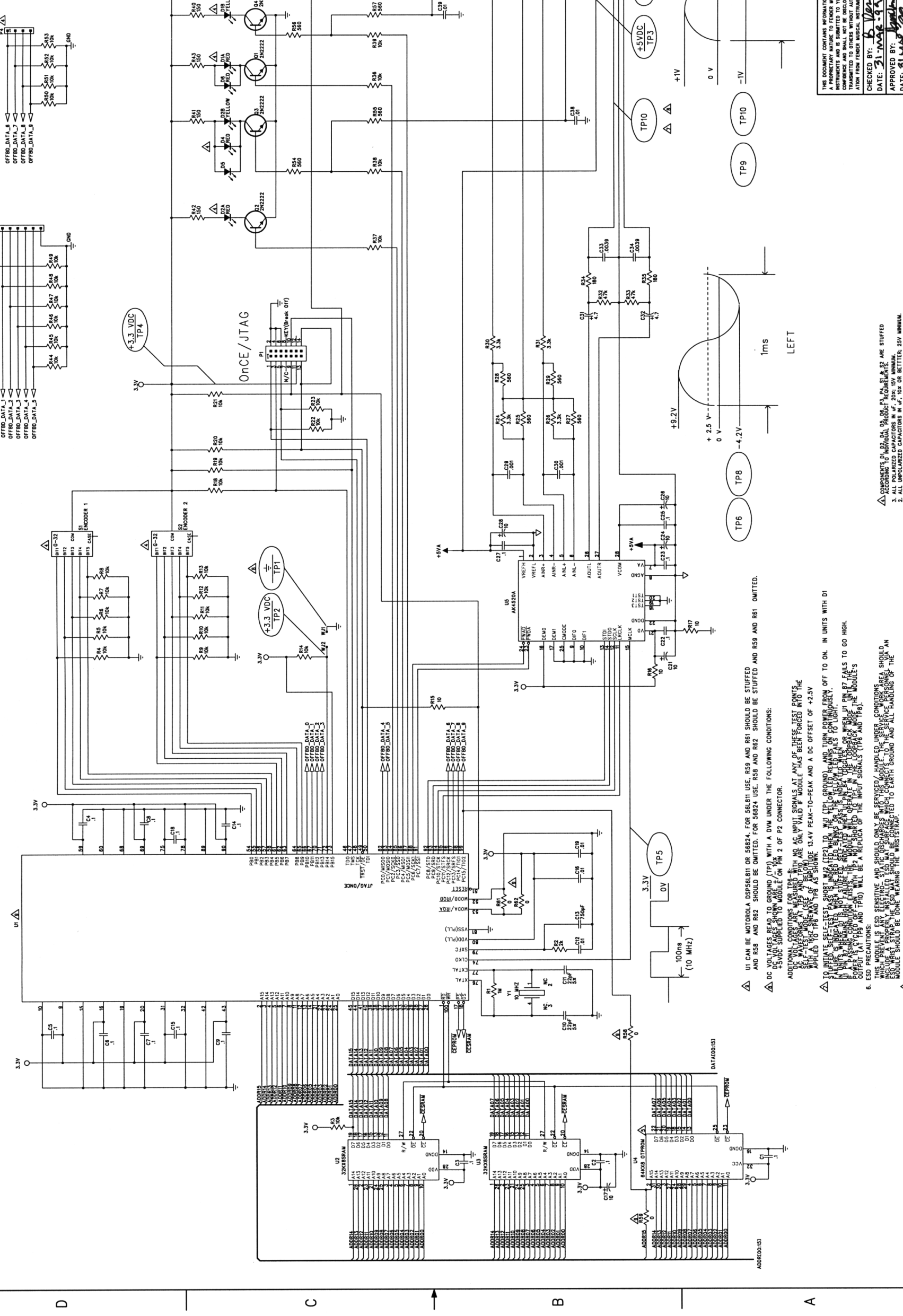
DRAWN BY: B. DEB
ENCHR. BY: DESI
DATABASE FILE: Z43SP-PCB
RELEASE DATE: 19-OCT-99
SHEET 2 OF 2

2. DSP ASSEMBLY P/N 0055890000 MUST BE CONNECTED TO PW2 FOR SIGNAL TO APPEAR AT TP27 AND TP28.
1. SEE SHEET 1 FOR PRIMARY WIRING, TEST CONDITIONS AND TESTPOINT VALUES.

NOTES: (UNLESS OTHERWISE NOTED)

FILE NAME: SERVICE DIAGRAM
DATABASE: Z43SP-PCB DATE: 19-OCT-99

REVISIONS			
REV.	DESCRIPTION	DATE	APPROVED
A	PR 378	16-JAN-98	R. P.
B	PR 398	15-JUL-98	E M M
C	PR 406	30-OCT-98	LWF
D	EC 2271	31-MAR-99	JEB



THIS DOCUMENT CONTAINS INFORMATION OF A PROPRIETARY NATURE TO FEMER MUSICAL INSTRUMENTS AND SHALL NOT BE DISCLOSED OR TRANSMITTED TO OTHERS WITHOUT AUTHORIZATION FROM FEMER MUSICAL INSTRUMENTS.	
CHECKED BY:	B. Vena
DATE:	31 MAR 99
APPROVED BY:	[Signature]
DRAWN BY:	S. HOSNER
ENGINEER:	POVIMPIRE
DATE:	17-MAR-99
SIZE:	D
DRAWING NUMBER:	005356900
REV.:	D
TITLE:	SERVICE DIAGRAM, COMBINED (schematic) DSP SFX SERIES
DATE:	17-MAR-99
RELEASE DATE:	17-MAR-99
SHEET:	1 OF 2

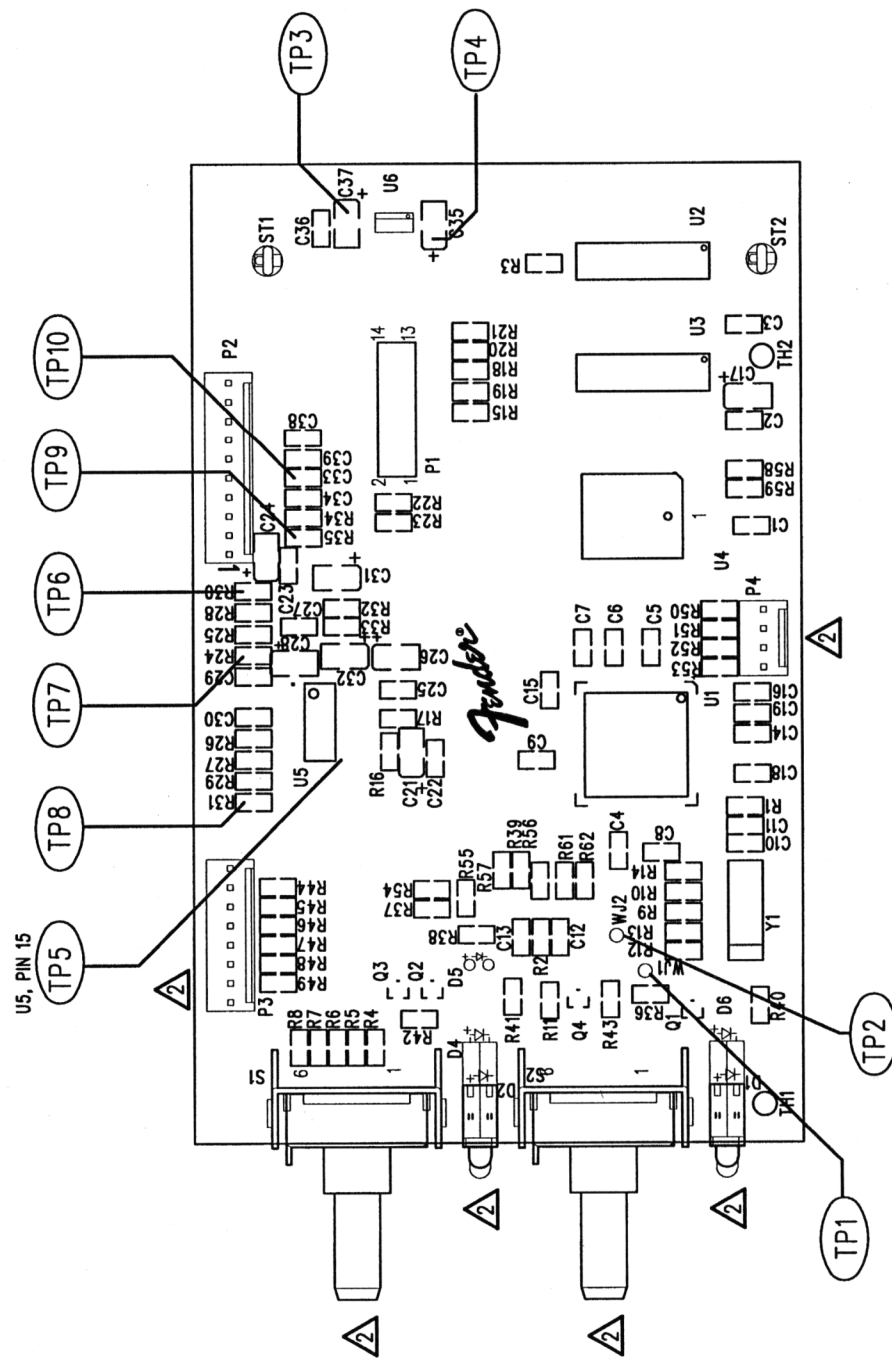
1. ALL RESISTORS IN OHMS, 5% 1/10W.
 2. ALL POLARIZED CAPACITORS IN uF, 20% 15V MINIMUM.
 3. ALL UNPOLARIZED CAPACITORS IN uF, 10% OR BETTER, 25V MINIMUM.

NOTES: (UNLESS OTHERWISE NOTED)
 1. ALL UNPOLARIZED CAPACITORS IN uF, 20% 15V MINIMUM.
 2. ALL POLARIZED CAPACITORS IN uF, 10% OR BETTER, 25V MINIMUM.

REVISIONS

REV.	DESCRIPTION	DATE	APPROVED
A	PR 378	16-JAN-98	R.P.
B	PR 398	15-JUL-98	E M M
C	PR 406	30-OCT-98	L W F
D	EC 2271	31-MAR-99	J E B

FILM/DWG: SERVICE DIAGRAM
 DATABASE: Z369P.PCB DATE: 31-MAR-99



THIS DOCUMENT CONTAINS INFORMATION OF A PROPRIETARY NATURE TO FENDER MUSICAL INSTRUMENTS AND IS SUBMITTED TO YOU IN CONFIDENCE AND SHALL NOT BE DISCLOSED OR TRANSMITTED TO OTHERS WITHOUT AUTHORIZATION FROM FENDER MUSICAL INSTRUMENTS.

Fender
 MUSICAL INSTRUMENTS
 2621 Research Drive
 Corona, CA 91720 USA

CHECKED BY: B. V. M.
 CK DATE: 31-MAR-99
 APPROVED BY: [Signature]
 AP DATE: 30 MAR 99
 DRAWN: S. HOSNER ENGR: R. POVINMIRE
 DATABASE FILE: Z369P.PCB

TITLE: SERVICE DIAGRAM, COMBINED (PCB assy)
 DSP SFX SERIES
 SIZE: B DRAWING NUMBER: 0053569000 REV. D
 RELEASE DATE: 16-JAN-98 SHEET 2 OF 2

3. TEST POINT LOCATIONS AND VALUES ARE VALID FOR ALL PRODUCT CONFIGURATIONS.
 COMPONENTS D1, D2, D4, D5, D6, P3, P4, S1 & S2 ARE STUFFED ACCORDING TO INDIVIDUAL PRODUCT REQUIREMENTS. SEE SPECIFIC PRODUCT BILL OF MATERIALS TO DETERMINE WHICH COMPONENTS SHOULD BE PRESENT. REFERENCE MASTER ASSEMBLY DRAWING 0053567000
1. SEE SHEET 1 FOR TEST CONDITIONS AND TEST POINT VALUES.
- NOTES: (UNLESS OTHERWISE NOTED)